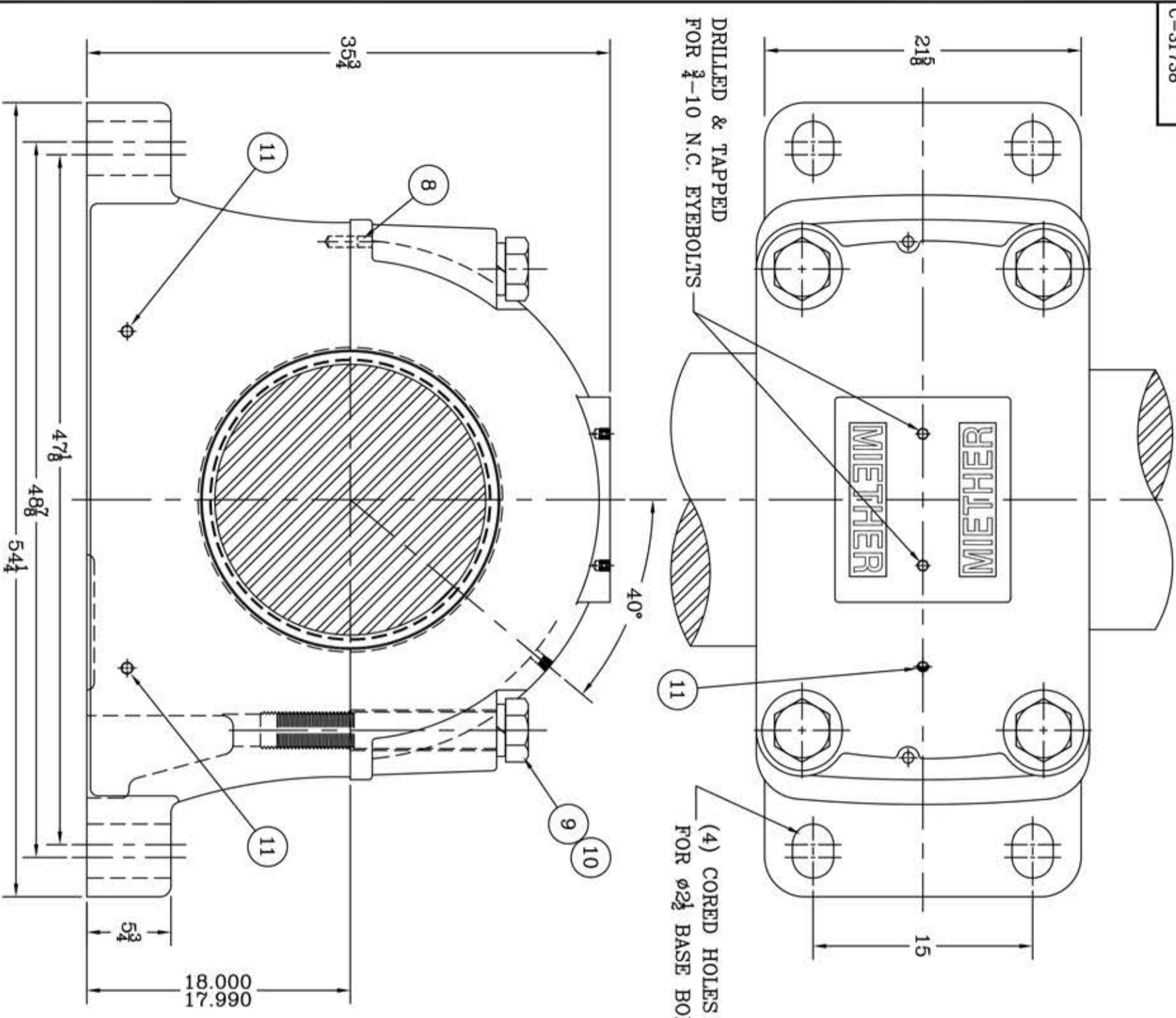


This drawing is the sole property of Miether Bearing Products and contains confidential and proprietary information. It is being provided to you for your use and may not be disclosed to any third party or used for any other purpose without Miether's prior written consent. The [materials] must be returned to the Company upon its demand. Your acceptance of these materials constitutes your acceptance of the foregoing terms.

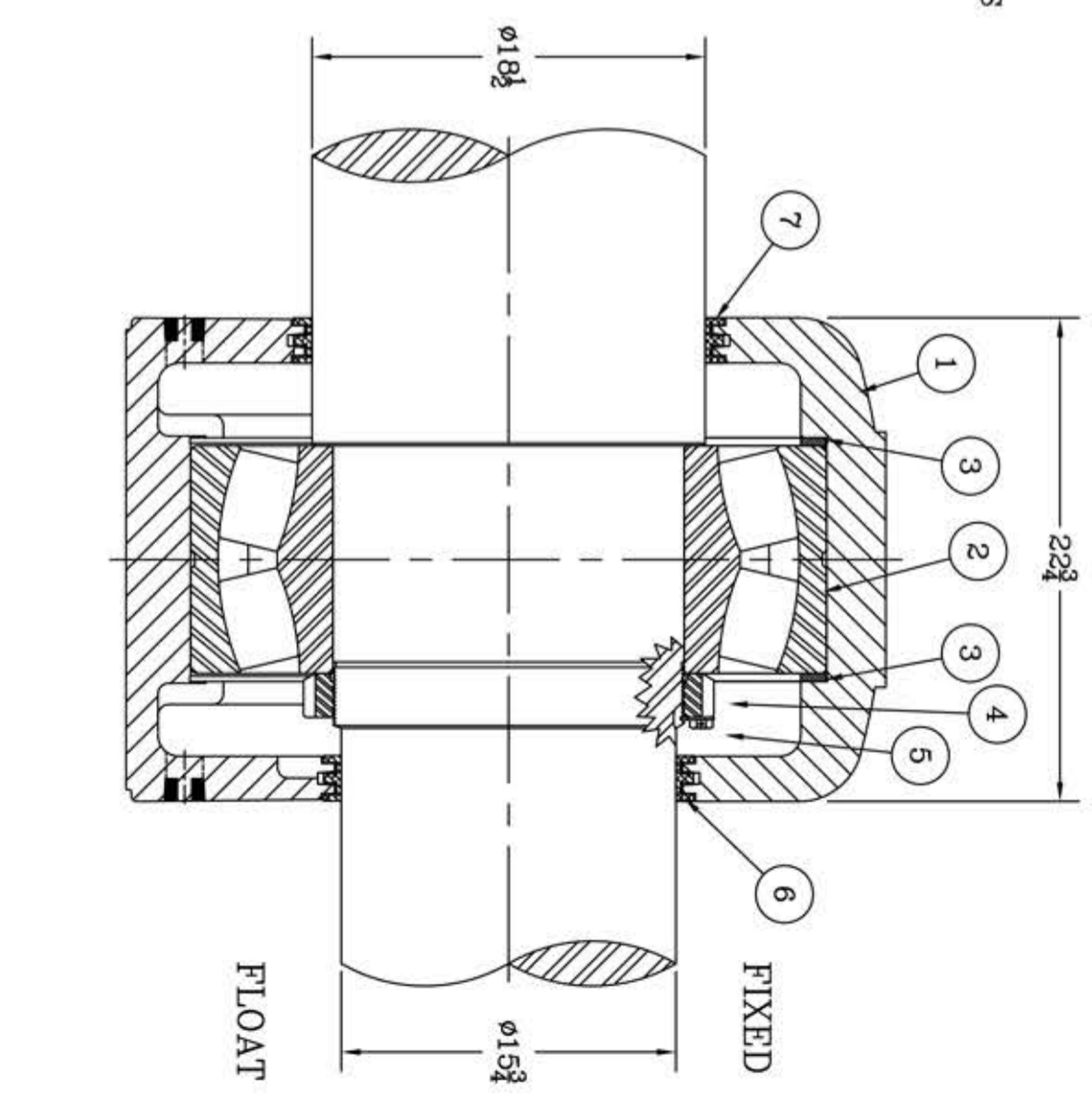
C-31738



DRILLED & TAPPED FOR 3/4-10 N.C. EYEBOLTS

(4) CORED HOLES FOR 3/8" BASE BOLTS

ITEM	DESCRIPTION	DETAIL	REQUIRED
1	HOUSING SDAF 3284	C-	1 1
2	SPHERICAL ROLLER BEARING	23284/W-33	1 1
3	STABILIZING RING	A-8990	2 0
4	LOCKNUT	N-084	1 1
5	LOCKPLATE	P-84	1 1
6	TRIPLE SEAL RING	ER-907	1 1
7	TRIPLE SEAL RING	ER-978	1 1
8	DOWEL	A-19614	2 2
9	CAP BOLT HEX. HEAD	2 1/2-4 NC x 15" LONG	4 4
10	LOCKWASHER	2 1/2 SPLIT MED.	4 4
11	PIPE PLUG	1/2-14 NPT	5 5



REVISIONS

SYMBOL	DESCRIPTION
C	...
D	...
E	...
F	...
G	...
J	...
K	...

TOLERANCE: UNLESS OTHERWISE SPECIFIED
 FRACTIONS +- 1/32"
 DECIMALS +- .005"
 CASTING +- 1/16"
 WELD +- 1/16"
 ANGLES +- 0°-30°
 A.I.S.I. STANDARD FINISHES
 MICRO-INCH VALUE: 16 32 63 125 250 500 1000

AN ALCO INDUSTRIES COMPANY
BEARING PRODUCTS
ODESSA, TX. USA

SDAF 23284 18-08 x 15-12
ASSEMBLY DRAWING

SCALE 1 = 6
DRAWN RWB
DATE 4/27/04
CHK:

ASSEMBLY NO.
DRAWING NO.
C-31738